
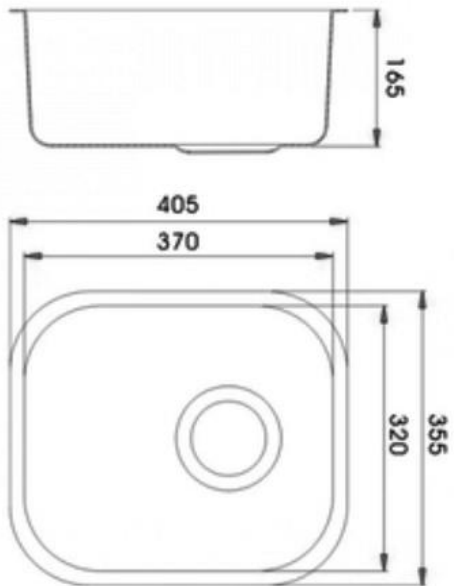


PROJECT		REF		REV	ITEM CODE	
LOCATION		DATE			PAGE	

SANITARY WARE SPECIFICATION SHEET

<p>Item Descriptions</p> <p>Dimensions</p> <p>Model</p> <p>Material</p> <p>Manufacturer</p> <p>Source</p> <p>Contact Tel/Fax</p> <p>E-mail</p> <p>Website</p>	<p>Global (PRC) 304 Stainless steel single bowl insert sink with waste fittings</p> <p>L405 x W355 x H165 mm (Overall) L370 x W320 x H165 mm (Bowl)</p> <p>U1003</p> <p>Stainless Steel 304</p> <p>Global (PRC)</p> <p>Acme Sanitary Ware Co. Ltd Mr. Eric Wong/ Mr. Don Yuen</p> <p>(852) 2388-7171 / (852) 2710-8012</p> <p>acme@acmesanitary.com.hk</p> <p>www.acmesanitary.com.hk</p>	<p align="center">Illustration/ Drawing</p>  
<p><u>Product Detail :</u></p> <ul style="list-style-type: none"> Model : U1003 Size (mm) : 405 mm x 355 mm x 165 mm Size (inch) : 14" x 16" x 6.5" CUT-OUT (mm) : 380 mm x 330 mm 304 stainless steel single bowl 		

Note:

* All information of the above is for the reference only. No prior notice is made if any changes.